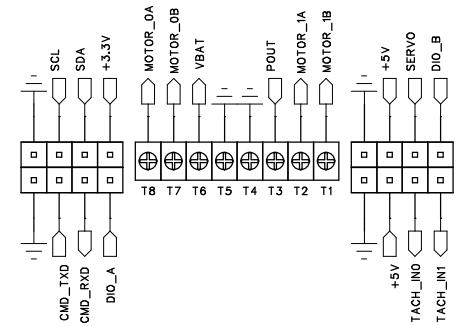
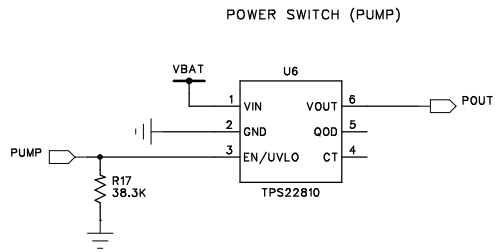


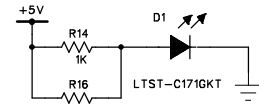
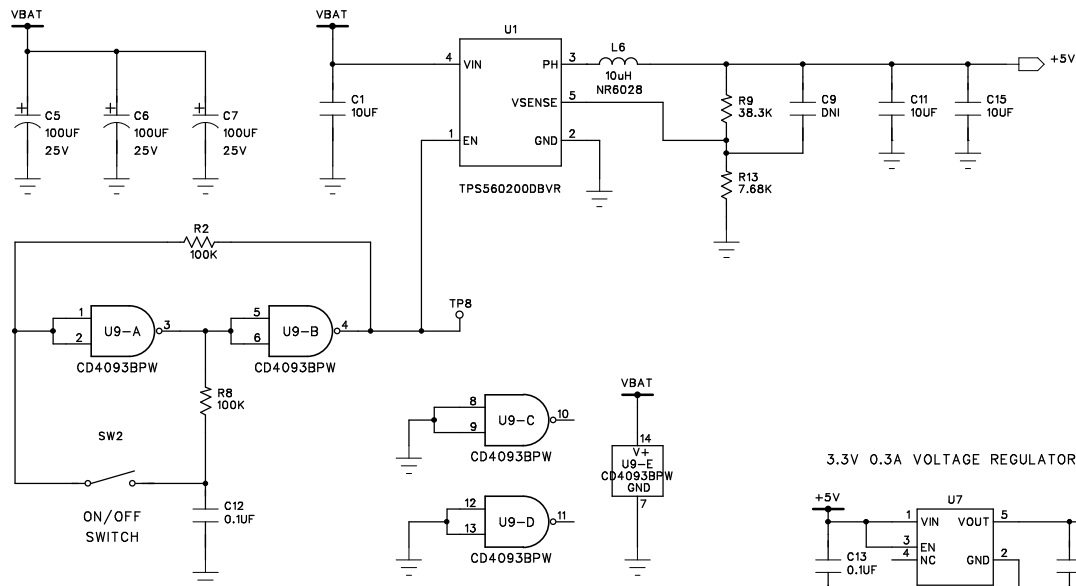
DRAWN JAG	APPROVED	DATE 11/17/2019
FILENAME Growver 2020 Schematic Rev A.sch		
DESCRIPTION GROWVER 2020 CONTROL BOARD		

REVELY MICROSYSTEMS www.revely.com www.voltwerks.com AUSTIN TX, 78748 PHONE 512.872.5340	
PART NUMBER G2020-A	SHEET 1 OF 2

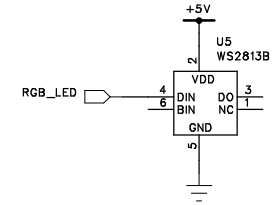


POWER, MOTOR AND I/O TERMINALS

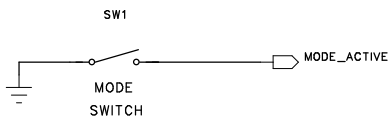
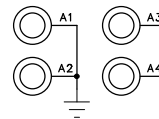
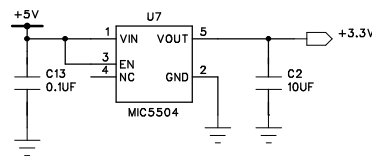
4.8V 0.5A VOLTAGE REGULATOR
V_{MIN} = 17V MAX



RGB LED



3.3V 0.3A VOLTAGE REGULATOR



DRAWN JAG	APPROVED	DATE 11/17/2019
FILENAME Growver 2020 Schematic Rev A.sch		
DESCRIPTION GROWVER 2020 CONTROL BOARD		

REVELY MICROSYSTEMS www.revely.com www.voltwerks.com AUSTIN TX, 78748 PHONE 512.872.5340	
PART NUMBER G2020-A	SHEET 2 OF 2